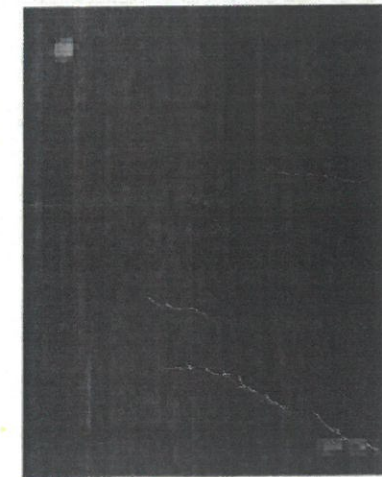
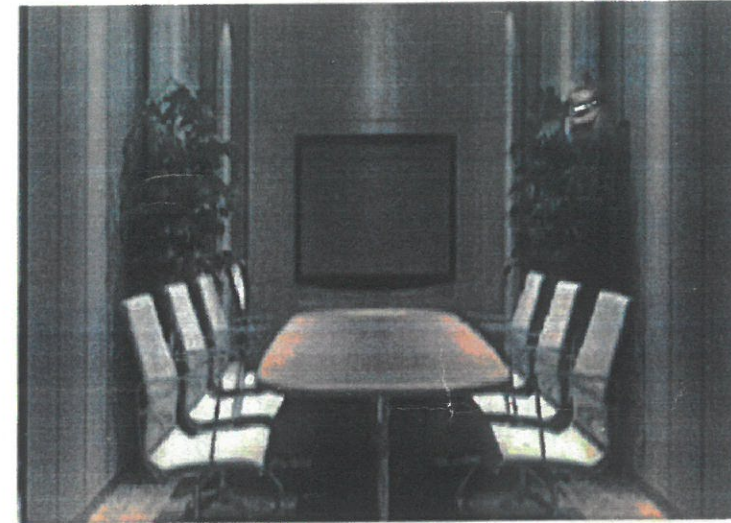
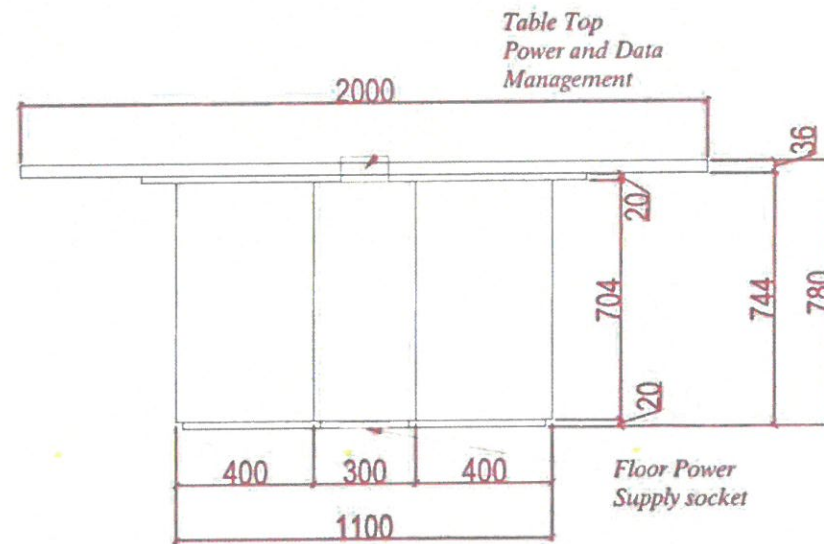
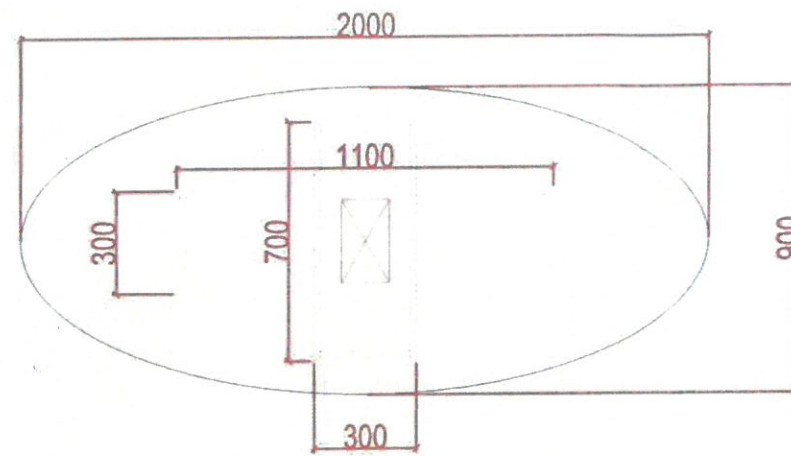
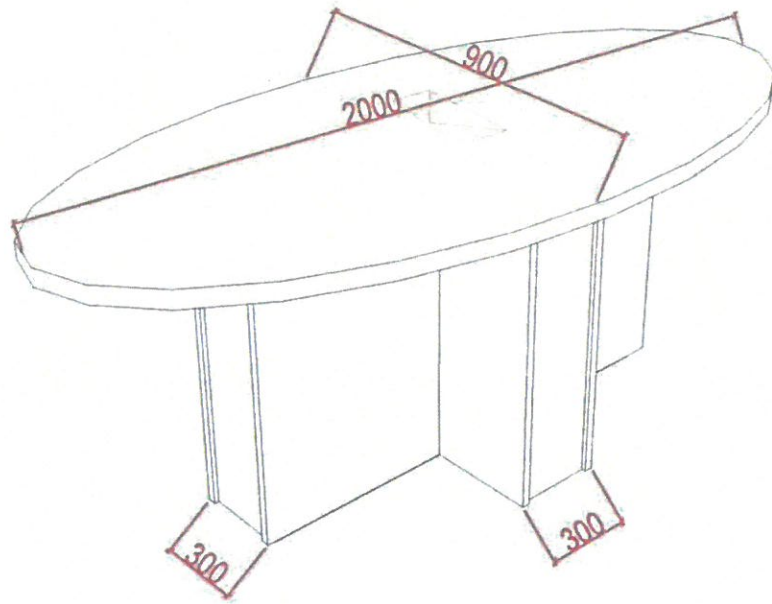


# Meeting room table

Circular Table (First floor)

6-man circular meeting table in laminate finish - oval shaped with power hatch

*Data Management?*



StarWood 291

Project  
**FTMB**

**IKOYI, LAGOS**

Owner  
—

Date Description  
**DSD-V1-ID-13/4/2024 - REV1**

*Ok  
model  
16/5/24*

**FOR APPROVAL**

Project No. : —  
Scale : N/A  
Drawn by : OBJ  
Checked : OBJ  
Cad File : CAD\_FILE

Sheet title  
**First Floor  
6 Man Meeting room table  
Floor Plan / Elevation**

Dwg No. No.  
**WS-DS-SD-FT-012 SHEET 2**